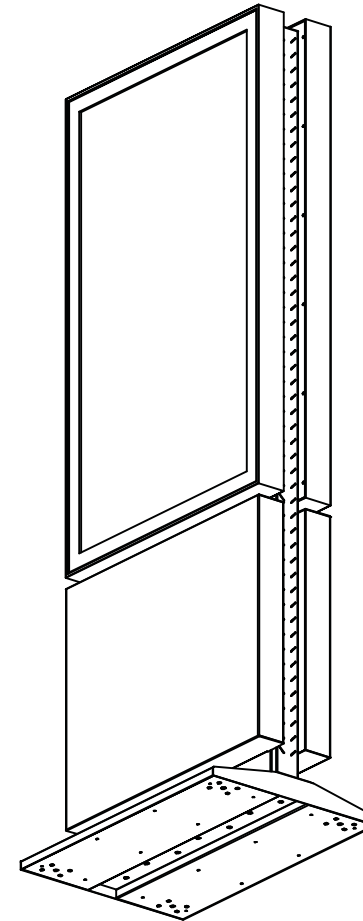
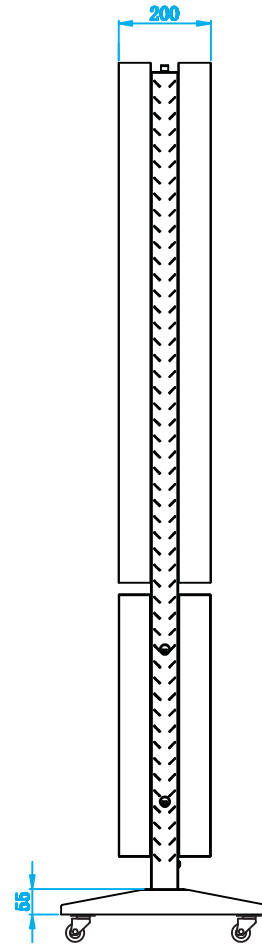
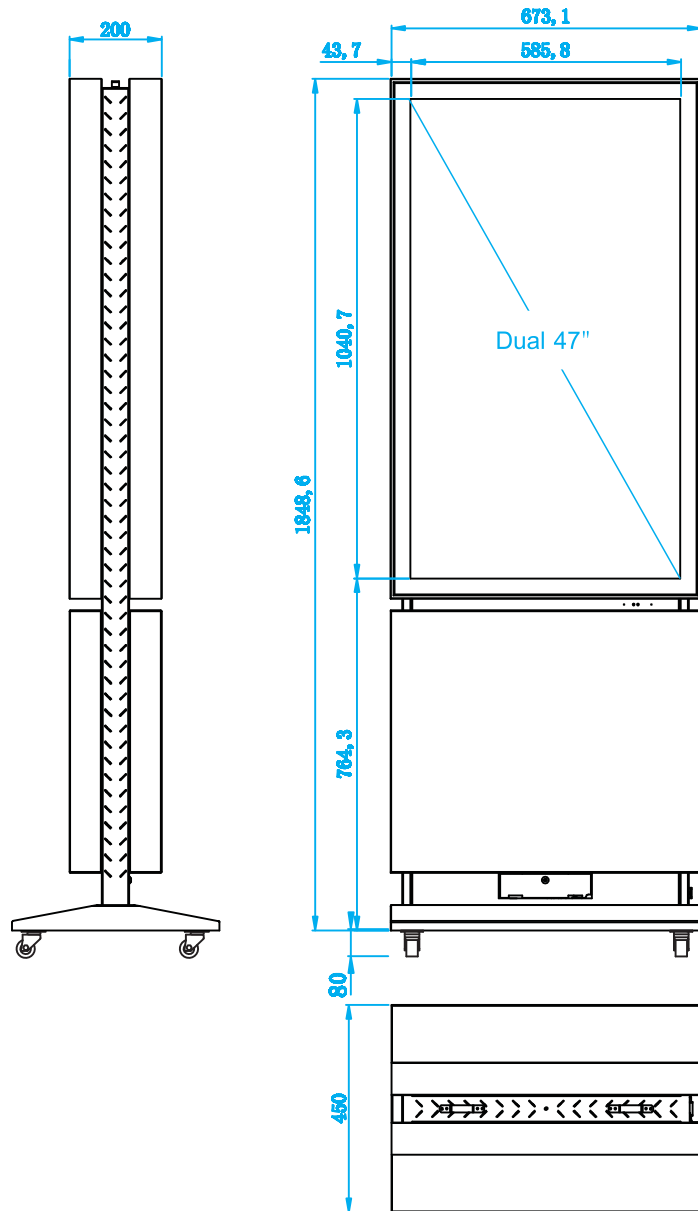


REVISION

VER	Content	Approve	Date
1.0			
2.0			



Measurement: mm

**solé**  
VIDEO SOLUTIONS

Resource International

PRODUCT NO. : <b>SEDA470E61AFDS</b>	PART NAME: 47" Floor-standing double side DID	DRAWING NO.:
PART NO. :	MOULD NO. :	DESIGN BY :
MATERIAL:	FINISH:	CHECK BY :
TOLERANCE: LINEAR: 0 TO 6 ±0.1; 6 TO 30 ±0.2; 30 TO 120 ±0.3;	ANG: ALL±0.5; 120 TO 400 ±0.5; 400 TO 1000 ±0.6; 1000 TO 3000 ±0.8;	APPROVED BY :
SCALE: 1:1		DRAFT ANGLE
		ALL DIMENSIONS ARE IN MM
		SHEET 1 OF 1